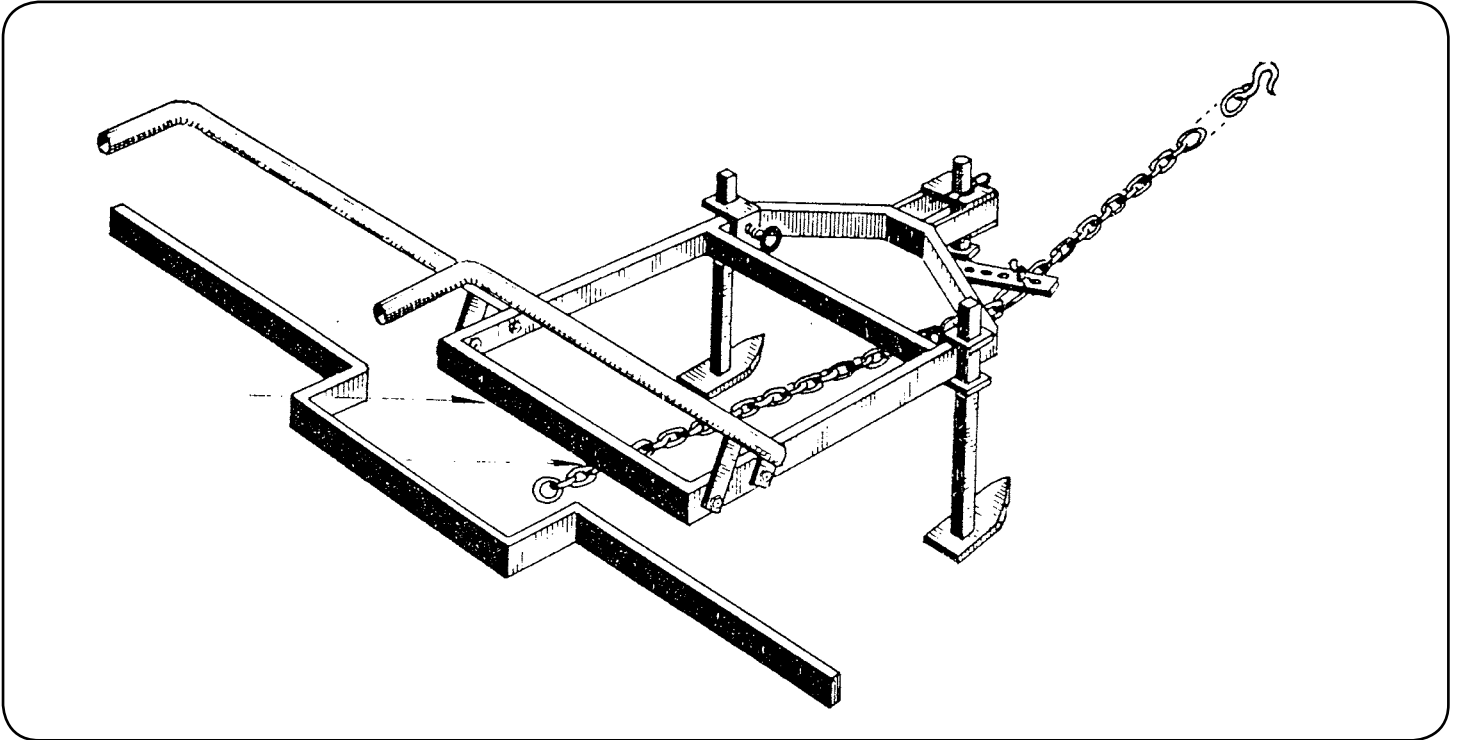


ARIANA

FOR ALL FARMINGS CONVENTIONAL PLOUGHING OR IRRIGATED

ANIMAL DRAWN TOOLBAR



FEATURES:

WIDTH OF FRAME : 600 mm (24 inches)

WIDTH OF EXTENSION BAR : 1400 mm (55 inches)

WEIGHT OF FRAME WITH 2 WHEELS : 47 kgs

2 WHEELS : DIAMETER 250 mm (10 inches), WIDTH 50 mm (2 inches)

VARIABLE TRACK FOR TWO WHEELS UP TO 760 mm (30 inches)

2 INDEPENDENT HANDLES ADJUSTABLE

REGULATION OF THE DRAUGHT BY A CLEVIS

SPECIAL DRAUGHT CHAIN

FIXING OF MANY IMPLEMENTS BY CLAMPS 20 X 26, 40 X 16, 60 X 16 and 20 X 25 :

(SINGLE OR DOUBLE "LOUGH, REVERSIBLE PLOUGH 1/4 TURN, RIDGER WITH ORIENTABLE WINGS, CANADIAN, WEEDER, LIFTER, DISC HARROW, TINE HARROW, PRECISION SEEDER, SUB SOILER,...)

Les caractéristiques techniques sont données à titre indicatif : elles sont susceptibles d'être modifiées sans préavis



1 Rue des Frères Desjardin - 02590 ETREILLERS - FRANCE

Tél. : (33) 03 23 50 80 00

Fax : (33) 03 23 68 70 01

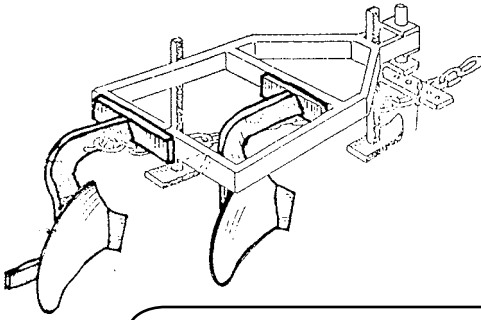
<http://www.delaplace.com>

EMAIL: ventes@delaplace.com

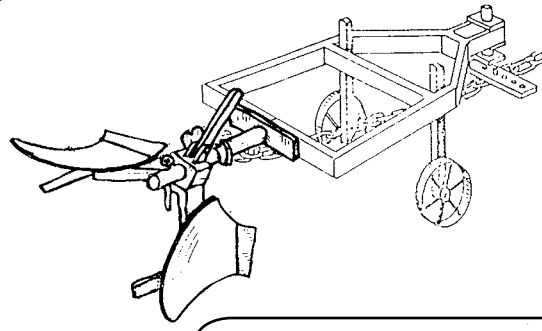
delaplace - mouzon



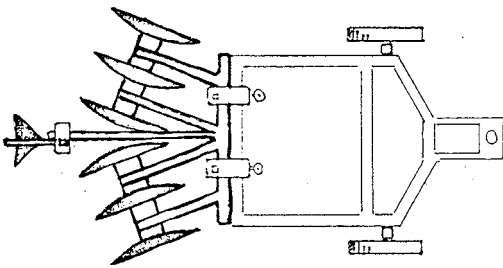
SOME IMPLEMENTS OF THE ARIANA



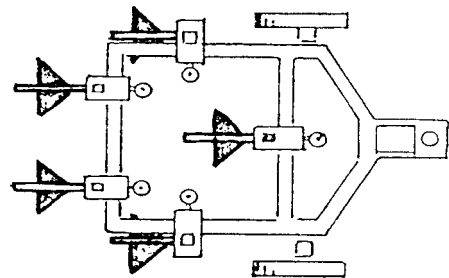
DOUBLE PLOUGH



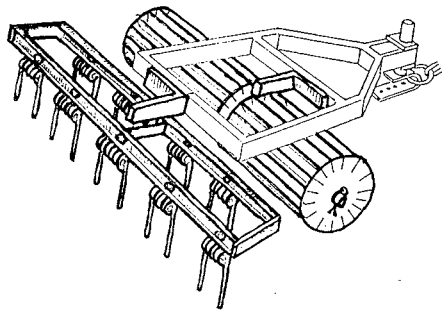
REVERSIBLE PLOUGH



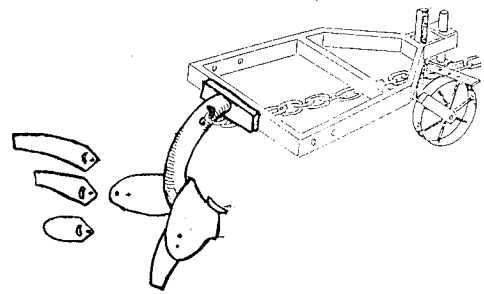
DISC HARROW



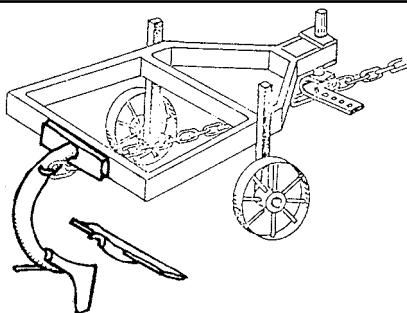
CANADIAN WEEDER



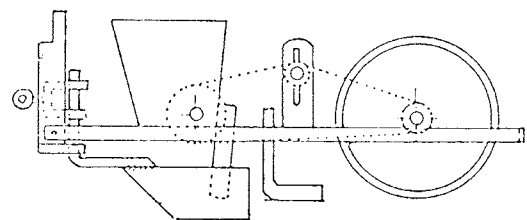
ROLLER HARROW



RIDGER



LIFTER



PRECISION SEEDER

OTHERS EQUIPMENTS : SUB-SOILER, RIGID HOE, ORIENTABLE LEVELER, DISC RIDGER, BROADCAST SEEDER, DISC RIDGER,...